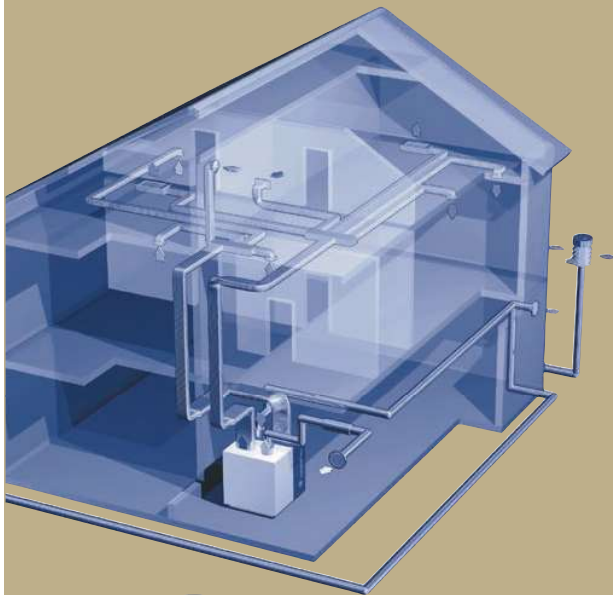
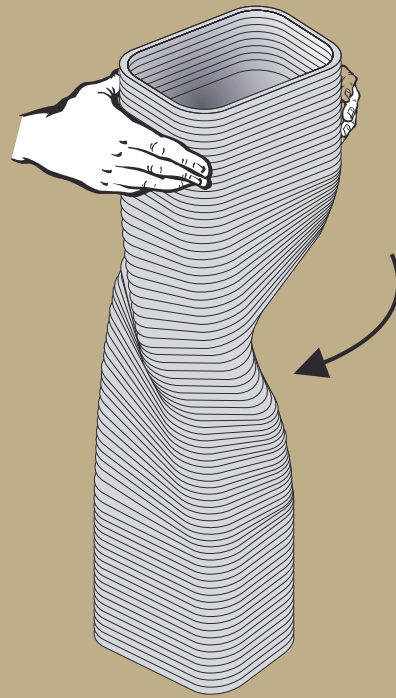


QUADRO

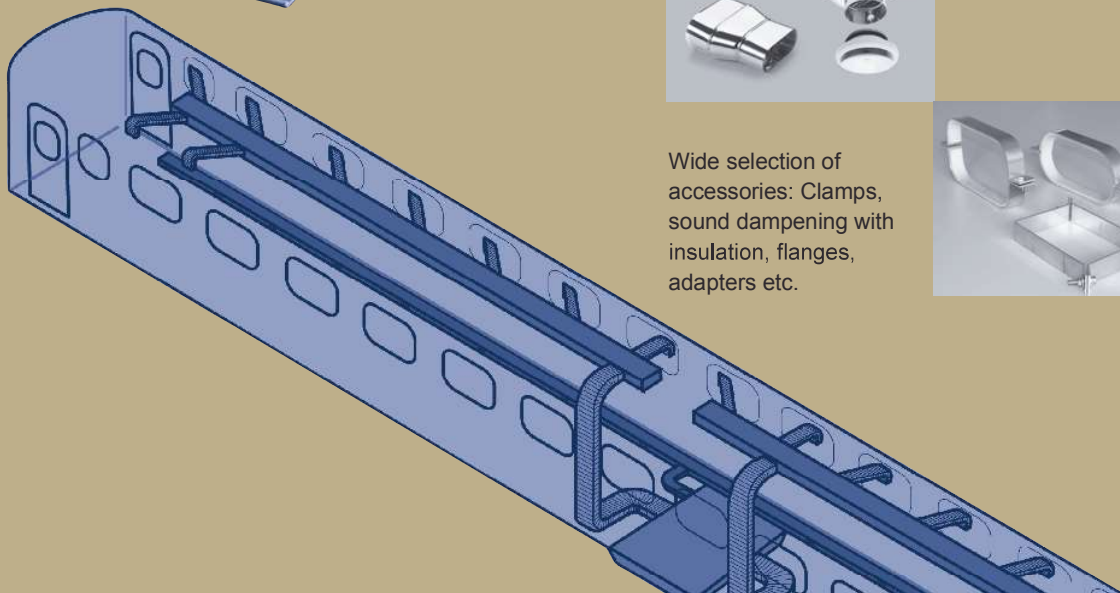
The products that are included in the "Quadro" range are unique in their design and create possibilities in a large number of areas. Their shape make them especially usable where there is a requirement for a low installation height. The products are manufactured in a large number of shapes and materials and there is a wide selection of accessories.



Quadroflex ducts are manufactured in a large number of shapes and material.



Transition and connection components can be customised.



Wide selection of accessories: Clamps, sound dampening with insulation, flanges, adapters etc.



QUADROFLEX

Flexible rectangular duct



Ordered to customer order, limited stock.

Note that delivery time is normally up to 4 weeks because it is not a stock item.

QUADROFLEX

Description

The folding technique means that the duct is durable and user-friendly, and reduces weight by up to 50% compared to steel sheet ducts. Quadroflex is a flexible duct and can be turned 90 degrees and the ends adapted to the relevant coupling diameter. Transition and/or coupling parts can be manufactured for all profile shapes.

Area of use

Quadroflex is for ventilation, smoke/gas, preheating, defroster and electronics and is therefore suitable for use in: *Factories, houses, cars, boats and trains*

Material

Single layer of profiled strips, corrugate and fold together. The most common material is aluminium or galvanised steel strips.

Properties

A flexible duct that is suitable for confined spaces. Installation requires no extra tools.

Cut using a knife

Temperature range

+ 200°C

Dimensions

See table below, standard length is 3m.

Bend radius

Can be turned up to 90 degrees

Fire classification

Non-flammable

Approval

Pressure drop diagram available in a separate catalogue

Accessory

See pages 18-20 for accessories for Quadro-products.

Dimensions table

Internal dimension (mm)	System	Standard length
129x52	100	3m
158x70	125	3m
192x80	150	3m
271x80	200	3m

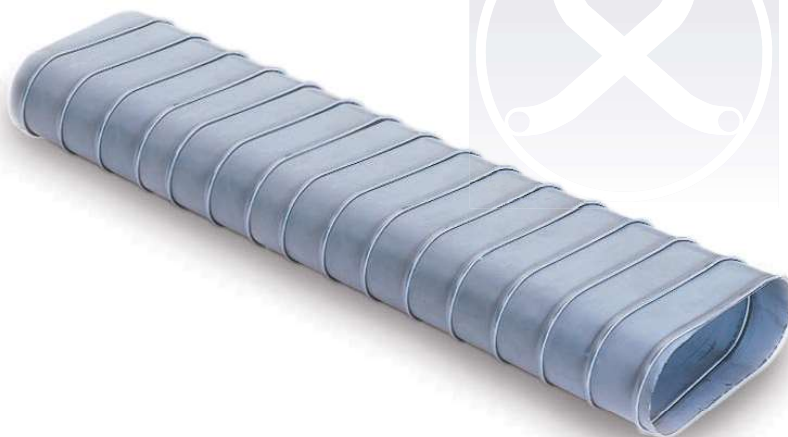
Smooth, rectangular duct



Transition and connection components can be customised.



Wide selection of accessories: Clamps, sound dampening with insulation, flanges, adapters etc.



Ordered to customer order, limited stock.

Note that delivery time is normally up to 4 weeks because it is not a stock item.

QUADROFIX

Description	Rigid steel duct with smooth inside for minimal pressure loss.	Properties	Suitable for low spaces, and cut with an angle grinder.
Area of use	Rigid rectangular pipe for straight duct runs, where there is a requirement for a low installation height. Within for example buildings and industries.	Temperature range	+ 200°C
Material	The most common material selection is aluminium or galvanised steel.	Fire classification	Non-flammable
		Accessory	A wide range of accessories is available such as, clamps, sound damping with insulation, flanges, couplings, transitions etc.

Dimensions table

Internal dimension (mm)	System	Standard length
129x52	100	3m
158x70	125	3m
192x80	150	3m
271x80	200	3m